

**MBD-62** REMOTE CONTROL

# **Manual Connection Cable**

**V. 1.0**



<http://www.hamplus.com>

# MBD-62 CONNECTOR PIN IDENTIFICATION

### To Radio 1

+12V (1) → BCD1-R1 (6)  
 RX-R1 (2) → BCD2-R1 (7)  
 TX-R1 (3) → BCD3-R1 (8)  
 SEND-IN (4) → BCD4-R1 (9)  
 GND (5) → DB9F

### To Radio 2

+12V (1) → BCD1-R2 (6)  
 RX-R2 (2) → BCD2-R2 (7)  
 TX-R2 (3) → BCD3-R2 (8)  
 SEND-IN (4) → BCD4-R2 (9)  
 GND (5) → DB9F

### USB

1 - +5  
 2 - D-  
 3 - D+  
 4 - GND

### Aux Out 1

Com-5 (5) → GND (9)  
 Com-4 (4) → Com-8 (8)  
 Com-3 (3) → Com-7 (7)  
 Com-2 (2) → Com-6 (6)  
 Com-1 (1) → DB9M

### Aux Out 2

Com-5 (5) → GND (9)  
 Com-4 (4) → Com-8 (8)  
 Com-3 (3) → Com-7 (7)  
 Com-2 (2) → Com-6 (6)  
 Com-1 (1) → DB9M

### To Ant Switch

Ant 1A (1) → Ant 1B (9)  
 Ant 2A (2) → Ant 2B (10)  
 Ant 3A (3) → Ant 3B (11)  
 Ant 4A (4) → Ant 4B (12)  
 Ant 5A (5) → Ant 5B (13)  
 Ant 6A (6) → Ant 6B (14)  
 12VA (7) → 12VA (15)  
 GND (8) → DB-15F

### LAN

1 - TD+    5 - RCT  
 2 - TD-    6 - RD-  
 3 - RD+    7 - N/C  
 4 - TCT    8 - GND

### RS-232

1 → RX (2)  
 2 → TX (3)  
 3 → GND (4)  
 4 → DB9F

**HAMPLUS**

Size: <b>A4</b>	Number: Connection Cable	Rev: 1.2
<b>MBD-62</b>		
Date: 13 / 07 / 2018	By: Valmor	
Filename: PI-MBD62	Page: 1 / 1	

# MBD-62 / AS-62 Connection Cable

MDD-62 To Ant Switch DB-15M	Connection Cable	MBD-62 CMD DB-15M
1	ANT 1A	1
2	ANT 2A	2
3	ANT 3A	3
4	ANT 4A	4
5	ANT 5A	5
6	ANT 6A	6
7	+12V (A)	7
8	GND	8
9	ANT 1B	9
10	ANT 2B	10
11	ANT 3B	11
12	ANT 4B	12
13	ANT 5B	13
14	ANT 6B	14
15	+12V (B)	15

Cable **CC62-5M**

### To Ant Switch

Ant 1A (1) → Ant 1B (9)  
 Ant 2A (2) → Ant 2B (10)  
 Ant 3A (3) → Ant 3B (11)  
 Ant 4A (4) → Ant 4B (12)  
 Ant 5A (5) → Ant 5B (13)  
 Ant 6A (6) → Ant 6B (14)  
 12VA (7) → 12VA (15)  
 GND (8) → DB-15F

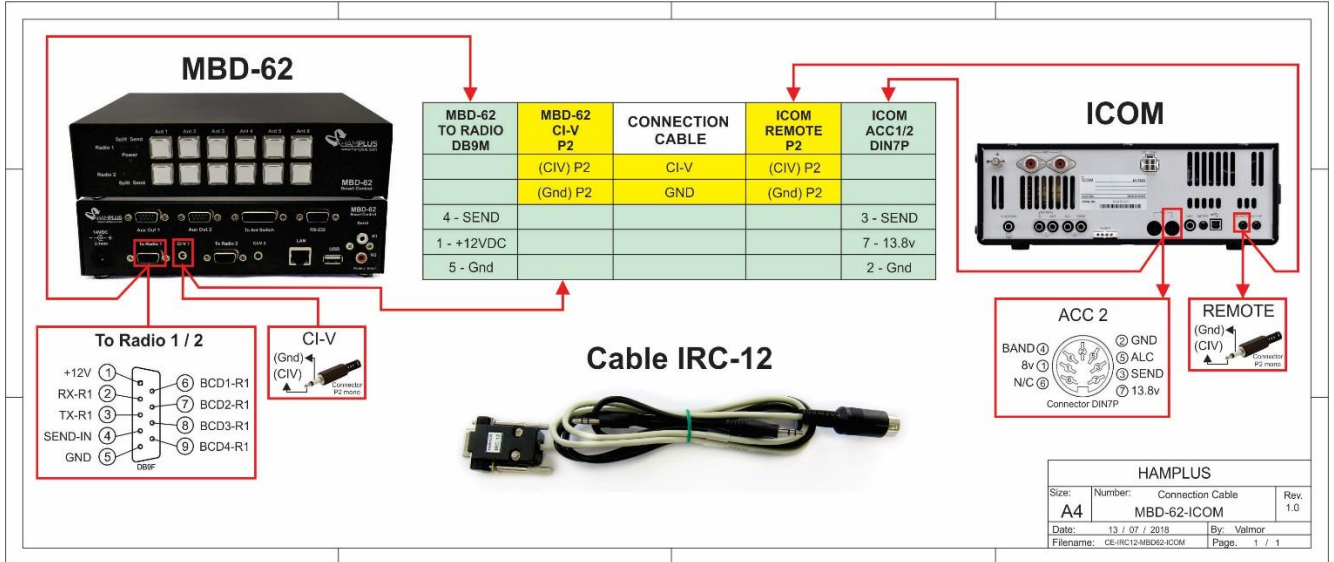
### CMD

Ant 1A (1) → Ant 1B (9)  
 Ant 2A (2) → Ant 2B (10)  
 Ant 3A (3) → Ant 3B (11)  
 Ant 4A (4) → Ant 4B (12)  
 Ant 5A (5) → Ant 5B (13)  
 Ant 6A (6) → Ant 6B (14)  
 12VA (7) → 12VA (15)  
 GND (8) → DB-15F

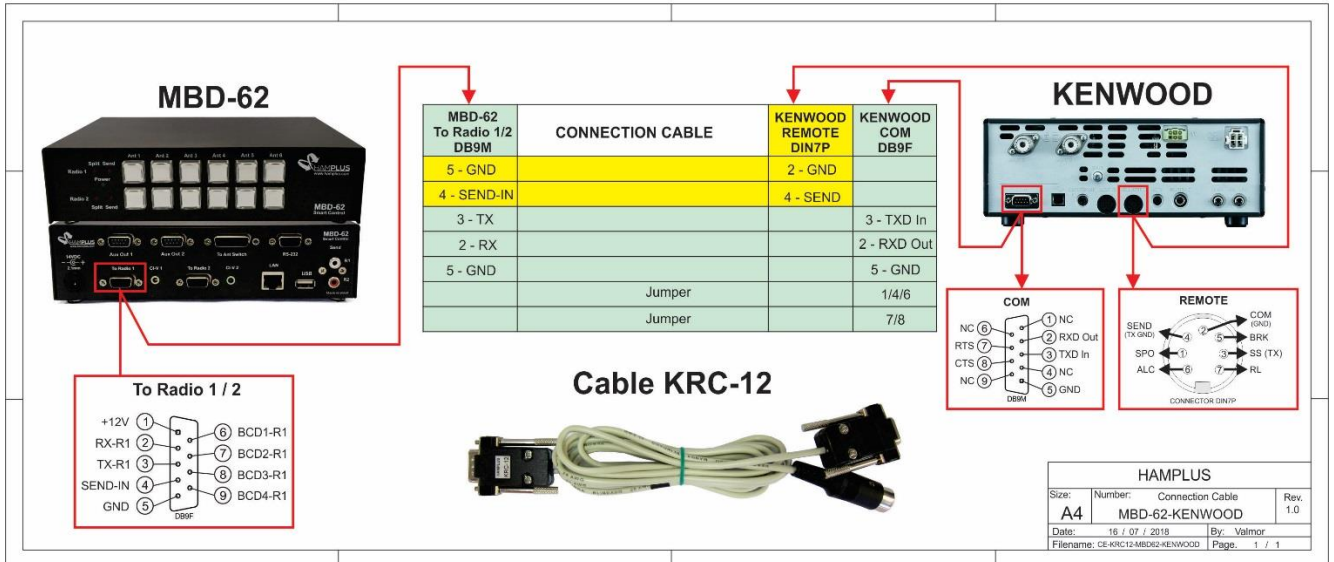
**HAMPLUS**

Size: <b>A4</b>	Number: Connection Cable	Rev: 1.0
<b>MBD62-AS62</b>		
Date: 16 / 07 / 2018	By: Valmor	
Filename: CE-MBD62-AS62	Page: 1 / 1	

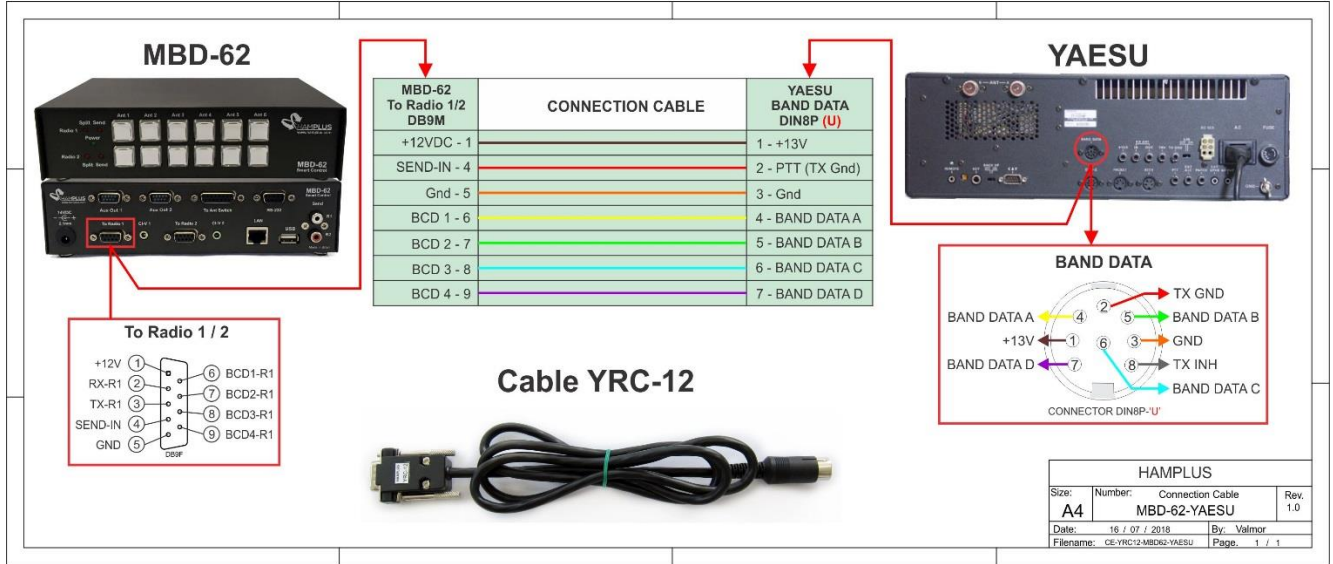
MBD-62 / ICOM Connection Cable



MBD-62 / KENWOOD Connection Cable



MBD-62 / YAESU Connection Cable



MBD-62 / ELEKRAFT K3 - Connection Cable

